

Standard 51 W 12 V P22d

Car lamps from NEOLUX ensure the roads ahead are well-lit and visible to others.



Product family benefits

- Suitable for the most common headlight lamps
- Affordable
- Reliable manufacturer
- Good illumination of the road
- Reliable products

Product family features

- Broad product range
- Good and reliable quality thanks to German technology
- ECE certified lamps
- Normed light output
- Basis for good light distribution

Areas of application

- Headlight



N9006

Product information

Application (Category and Product specific)	Halogen headlight lamp
---	------------------------

Electrical data

Power input	62 W
Test voltage	13.2 V
Nominal wattage	51.00 W
Nominal voltage	12.0 V

Photometrical data

Luminous flux	1095 lm
Luminous flux tolerance	±15 %

Dimensions & weight

Product weight	18.00 g
Length	80.3 mm
Diameter	12.0 mm

Lifespan

Lifespan Tc	1720 h
Lifespan B3	860 h

Additional product data

Base (standard designation)	P22d
-----------------------------	------

Capabilities

Technology	Halogen lamp
------------	--------------

Certificates & standards

ECE category	HB4
British standard	9006

Logistical data

Order reference	N9006
-----------------	-------

Environmental information

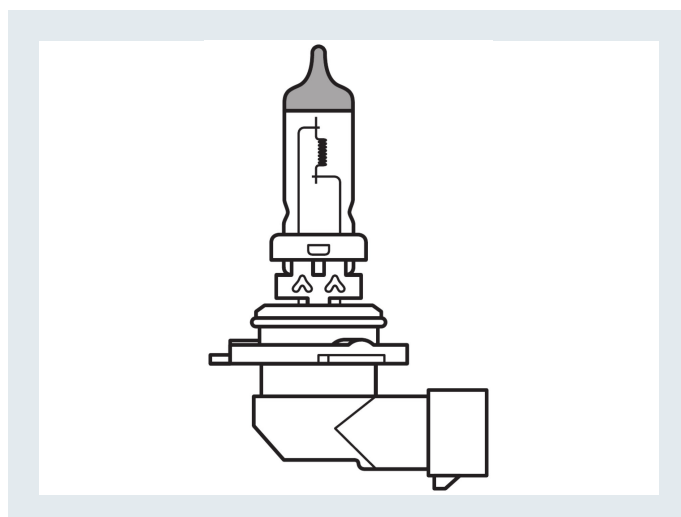
Date of Declaration	19-01-2022
Primary Article Identifier	4008321990822 4052899200449 4052899995314 4055462219565 4055462248701 4055462301871 4055462370686 4055462370662 4055462370648

Candidate List Substance 1	No declarable substances contained
----------------------------	------------------------------------

Declaration No. in SCIP database	In work
----------------------------------	---------

Packaging Information

Packaging description	EAN	Packaging type	Amount of article
NEOLUX N9006	4008321990822	Folding box	1



NEOLUX[®]
GERMAN TECHNOLOGY

NEOLUX Automotive Lighting
OSRAM GmbH

Marcel-Breuer-Str 6
80807 Munich, Germany

Phone +49 89 6213-0
Fax +49 89 6213-2020

www.neolux-lighting.com